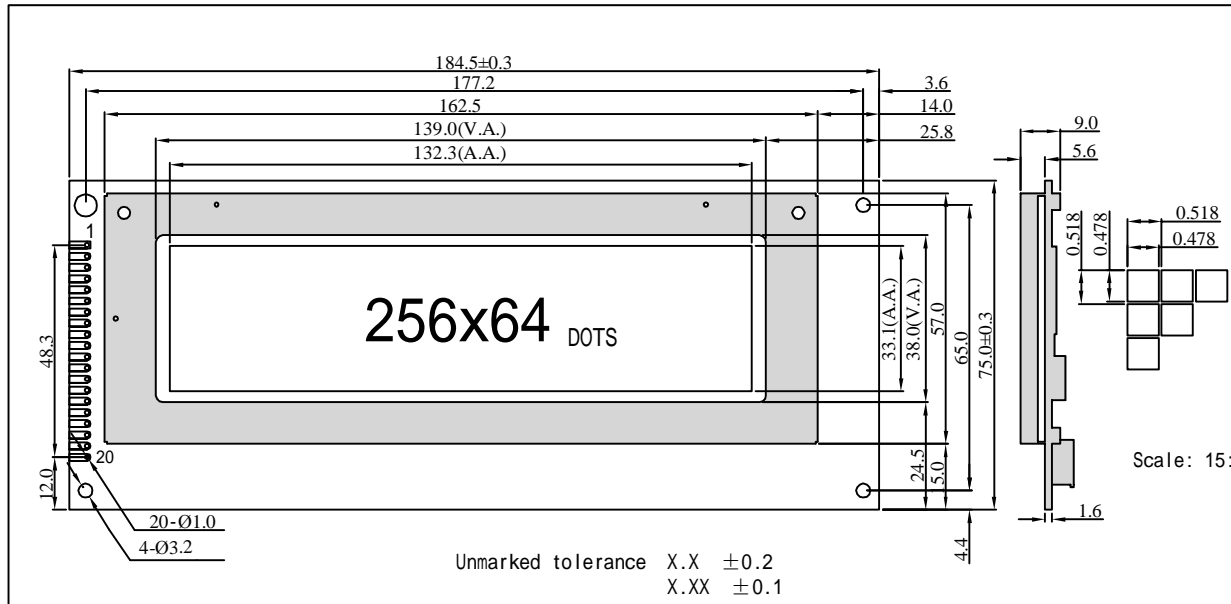


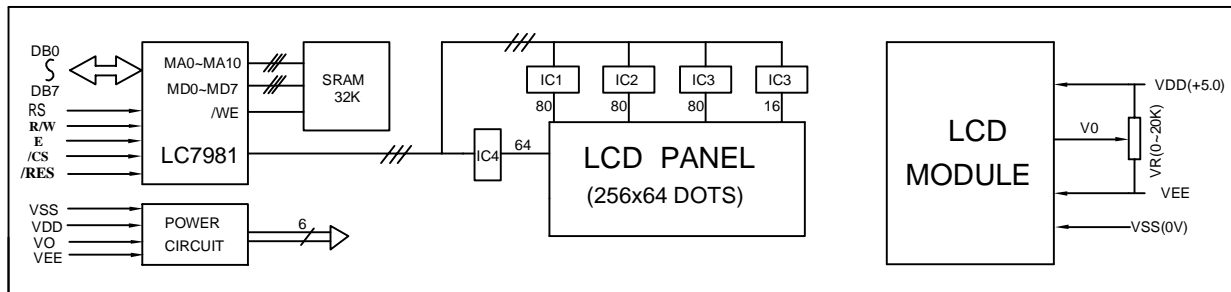
# ZL25664A Series

256x64 DOTS  
1/64 DUTY, 1/9 BIAS  
GRAPHIC-COB

## OUTLINE DIMENSIONS



## BLOCK DIAGRAM & POWER SUPPLY



## MECHANICAL SPECIFICATIONS & FEATURE

item	Normal Dimensions(mm)	Feature	
Module Size(W*H*T)	184.5x75x9.0MAX	LCD Type	STN FSTN
View Area(W*H)	139X38	LCD Colour	STN:Yellow-Green ,Gray Other:Gray
DotsxDots(W*H)	256X64	View Angle	6 O'clock , 12 O'clock
Dot Pitch(W*H)	0.478X0.478	Display Type	Positive Type,Negative Type
Dot Size(W*H)	0.518X0.518	Rear Polarizer	Transmissive,Reflective ,Transflective
---	---	Operating Temperature	0°C ~50°C , -20°C ~70°C

## ELECTRICAL CHARACTERISTICS

item	Symbol	Test Condition	Min.	Type.	Max.	Unit
Operating Voltage	Vdd	Ta=25°C	---	5.0V	---	V
Operating Voltage for LCD	Vlcd	Ta=25°C	---	13.0V	---	V
Supply Current	Idd	Ta=25°C,Vdd=5.0V	---	3.0	4.0	mA
Supply Current for Backlight	If	Ta=25°C,Vf=4.1V	---	150	---	mA

## INTERFACE PIN CONNECTIONS

Pin No.	Symbol	Level	Description
1	VSS	--	Ground for Logic
2	VDD	--	Power supply for Logic(+5.0)
3	V0	--	Adjust voltage for LCD drive
4	RS	H/L	Register selection (H:Instruction register,L:Data register)
5	R/W	H/L	Read/write selection (H:Read,L:Write)
6	E	H/L	Enable signal for LCM
7 - 14	DB0-DB7	H/L	Data Bus Lines
15	/CS	L	Chip Select Signal of the panel
16	/RES	L	Reset signal
17	VEE	--	Negative voltage input
18 - 20	NC	--	No connection

## REMARK

1.Negative type LCD colour : Bule. 2.File Version:01