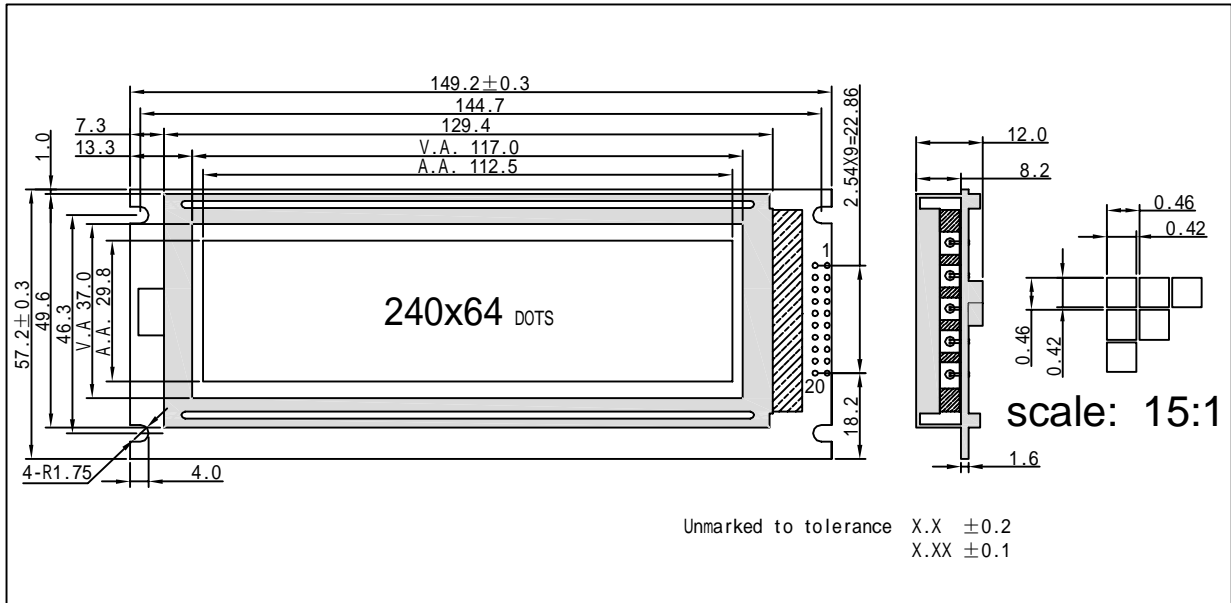


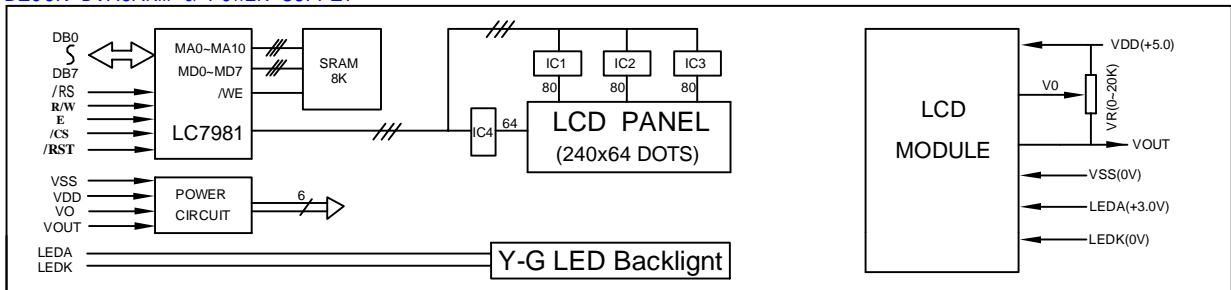
ZL24064D2 Series

240x64 DOTS
1/64 DUTY, 1/9 BIAS
GRAPHIC-COB

OUTLINE DIMENSIONS



BLOCK DIAGRAM & POWER SUPPLY



MECHANICAL SPECIFICATIONS & FEATURE

item	Normal Dimensions(mm)	Feature	
Module Size(W*H*T)	149.2x57.2x12.0MAX	LCD Type	STN FSTN
View Area(W*H)	117.0x37.0	LCD Colour	STN:Yellow-Green ,Gray Other:Gray
Dots x Dots (W*H)	240x64	View Angle	6 O'clock , 12 O'clock
Dot Pitch (W*H)	0.46x0.46	Display Type	Positive Type,Negative Type
Dot Size (W*H)	0.42x0.42	Rear Polarizer	Transmissive,Reflective ,Transflective
-----	-----	Operating Temperature	0°C ~50°C , -20°C~70°C
-----	-----	Backlight	LED: Yellow, Bule,White,Green

ELECTRICAL CHARACTERISTICS

item	Symbol	Test Condition	Min.	Type.	Max.	Unit
Operating Voltage	Vdd	Ta=25°C	---	5.0V	---	V
Operating Voltage for LCD	Vlcd	Ta=25°C	---	12.0V	---	V
Supply Current	Idd	Ta=25°C,Vdd=5.0V	---	9.0	15.0	mA
Supply Current for Backlight	I _f	Ta=25°C,V _f =4.2V	---	100	---	mA

INTERFACE PIN CONNECTIONS

Pin No.	Symbol	Level	Description
1	VSS	---	Ground for logic(0V)
2	VDD	---	Power supply for logic (+5.0V)
3	VO	---	Sdupply power for LCD drive
4	/RS	H/L	Register selection (H:Data register,L:Instruction register)
5	R/W	H/L	Read/write selection (H:Read,L:Write)
6	E	H/H → L	Enable signal for LCM
7-14	DB0-DB7	H/L	Data bus lines
15	/CS	L	Chip Select Signal for left Half of the panel
16	/RST	L	Reset signal
17	VOUT	---	Negative Voltage Output
18	NC	---	No Connect
19	LEDA	---	Backlight supply voltage(+3.0V)
20	LEDK	---	Backlight supply voltage(0V)

REMARK

1.Negative type LCD colour : Bule. 2.File Version:02