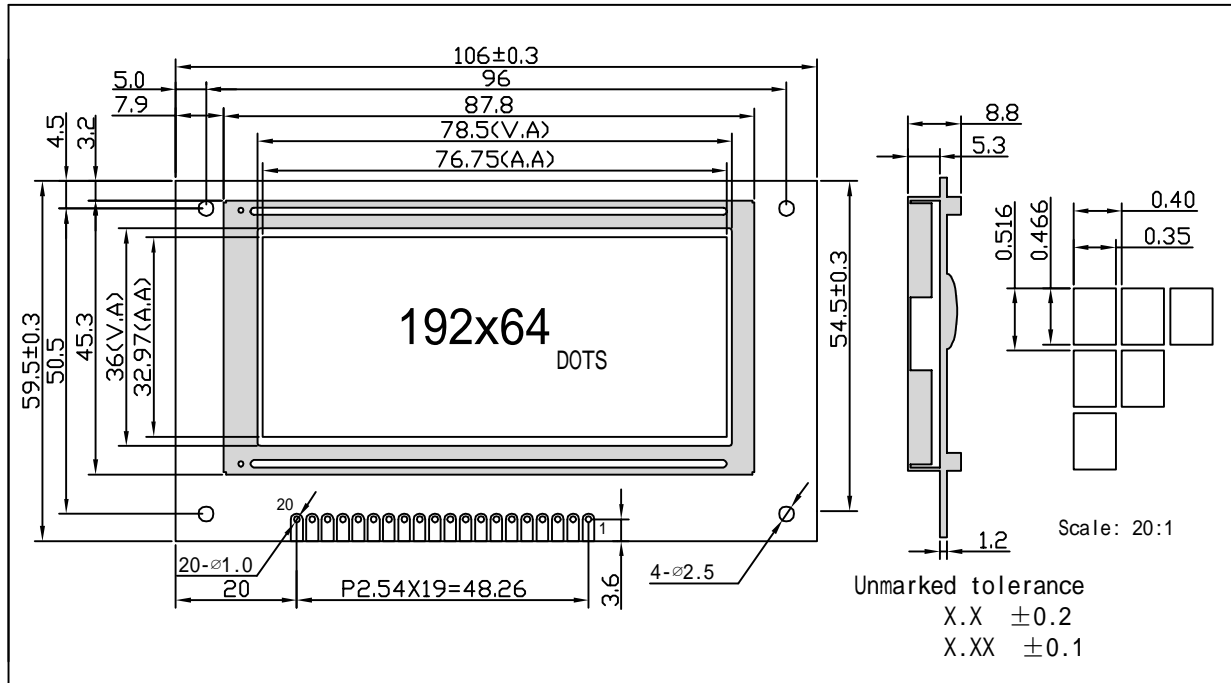


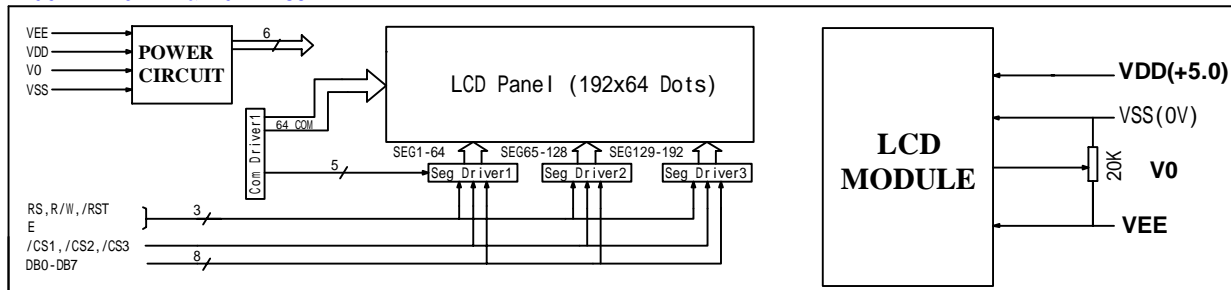
ZL19264C1 Series

192x64 DOTS
1/64 DUTY, 1/9 BIAS
GRAPHIC-COB

OUTLINE DIMENSIONS



BLOCK DIAGRAM & POWER SUPPLY



MECHANICAL SPECIFICATIONS & FEATURE

item	Normal Dimensions(mm)	Feature	
Module Size(W*H*T)	106x59.5x8.8MAX	LCD Type	STN FSTN
View Area(W*H)	78.5X36.0	LCD Colour	STN:Yellow-Green ,Gray Other:Gray
DotsxDots(W*H)	192X64	View Angle	6 O'clock , 12 O'clock
Dot Pitch(W*H)	0.40X0.516	Display Type	Positive Type,Negative Type
Dot Size(W*H)	0.35X0.466	Rear Polarizer	Transmissive,Reflective ,Transflective
---	---	Operating Temperature	0 C ~50 C , -20 C ~70 C

ELECTRICAL CHARACTERISTICS

item	Symbol	Test Condition	Min.	Type.	Max.	Unit
Operating Voltage	Vdd	Ta=25 C	---	5.0V	---	V
Operating Voltage for LCD	Vlcd	Ta=25 C	---	13.0V	---	V
Supply Current	Idd	Ta=25 C, Vdd=5.0V	---	3.0	4.0	mA
Supply Current for Backlight	If	Ta=25 C, Vf=4.1V	---	150	---	mA

INTERFACE PIN CONNECTIONS

Pin No.	Symbol	Level	Description
1	VSS	--	Ground for Logic
2	VDD	--	Power supply for Logic
3	V0	--	Power supply for LCD drive
4	RS	H/L	Register selection (H:Data register,L:Instruction register)
5	R/W	H/L	Read/write selection (H:Read,L:Write)
6	E	H/L → L	Enable signal for LCM
7-14	DB0-DB7	H/L	Data Bus lines
15	/CS1	L	Chip Select Signal for left Half of the panel
16	/RST	L	Reset signal
17	/CS2	L	Chip Select Signal for middle Half of the panel
18	/CS3	L	Chip Select Signal for right Half of the panel
19	VEE	--	Negative voltage output
20	BL+	--	Power supply for backlight(+)

REMARK

1. Negative type LCD colour : Bule. 2. File Version:01