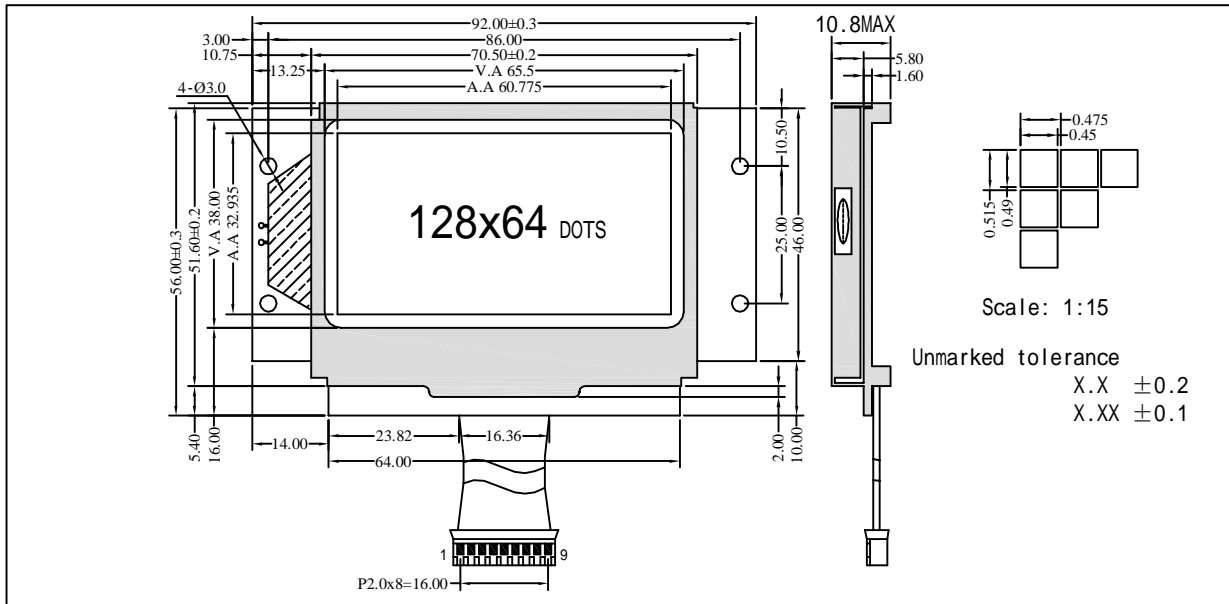


ZL12864H1

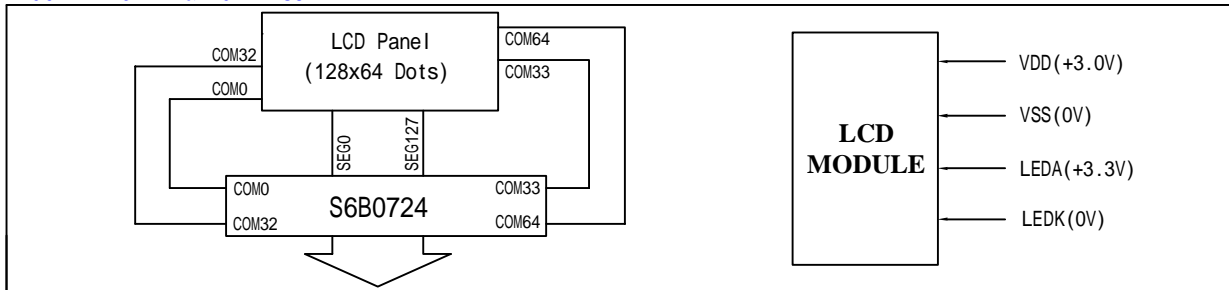
Series

128x64 DOTS
1/64 DUTY, 1/9 BIAS
GRAPHIC-COB

OUTLINE DIMENSIONS



BLOCK DIAGRAM & POWER SUPPLY



MECHANICAL SPECIFICATIONS & FEATURE

item	Normal Dimensions(mm)	Feature	
Module Size(W*H*T)	92.0x56.0x10.8MAX	LCD Type	STN
View Area(W*H)	66.5x38.0	LCD Colour	STN:Yellow-Green
DotsxDots(W*H)	128x64	View Angle	6 O'clock
Dot Pitch(W*H)	0.475x0.515	Display Type	Positive Type
Dot Size(W*H)	0.450x0.490	Rear Polarizer	Transmissive
---	---	Operating Temperature	0°C ~50°C, -20°C ~70°C
---	---	Backlight	LED: Yellow

ELECTRICAL CHARACTERISTICS

item	Symbol	Test Condition	Min.	Type.	Max.	Unit
Operating Voltage	Vdd	Ta=25°C	---	5.0V	---	V
Operating Voltage for LCD	Vlcd	Ta=25°C	---	13.0V	---	V
Supply Current	Idd	Ta=25°C, Vdd=5.0V	---	3.0	4.0	mA
Supply Current for Backlight	If	Ta=25°C, Vf=4.1V	---	150	---	mA

INTERFACE PIN CONNECTIONS

Pin No.	Symbol	Level	Description
1	CS	H/L	Chip select input
2	RST	---	Reset input pin
3	RS	---	Register select input pin
4	SCK	---	serial input clock (SCLK)
5	SDA	---	serial input data (SID)
6	VDD	H	Power supply for Logic (3.0V)
7	VSS	---	Ground for Logic
8	LEDA	H	Power supply for backlight(+3.3V)
9	LEDK	---	Power supply for backlight(0V)

REMARK

Negative type LCD colour : Bule. 2.File Version:01