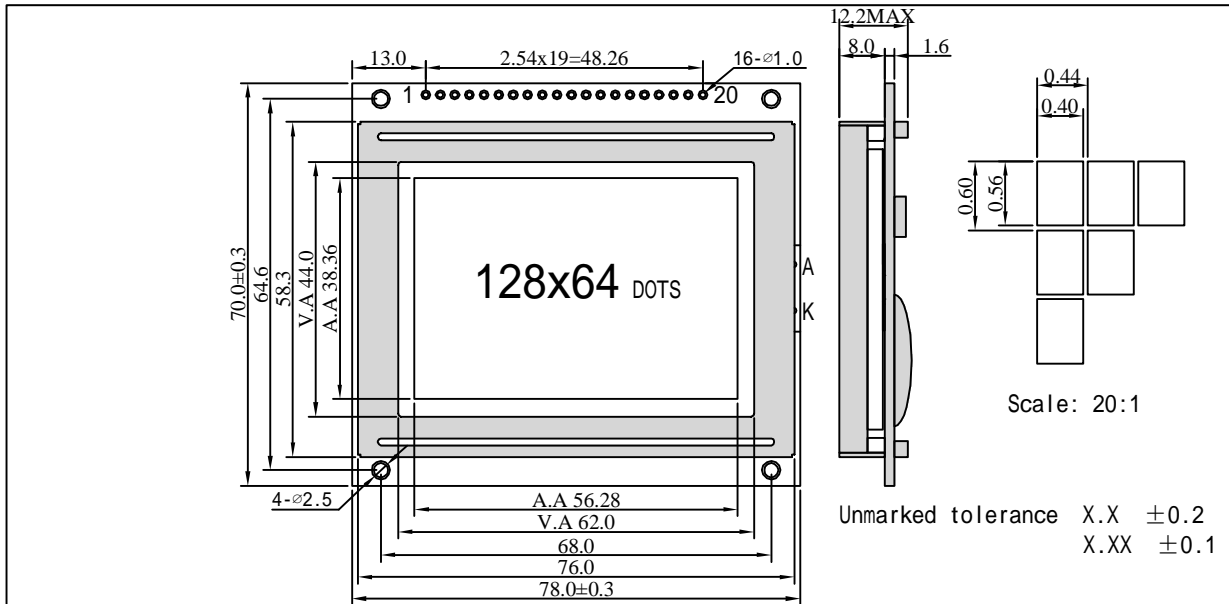


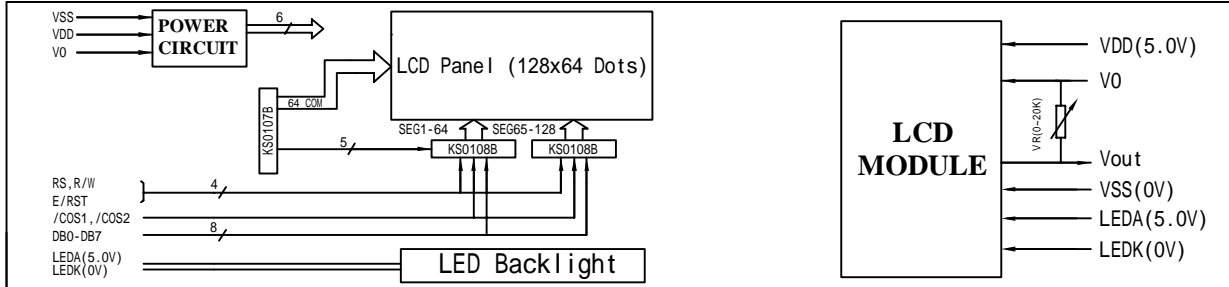
ZL12864C3 Series

128x64 DOTS
1/64 DUTY, 1/9 BIAS
GRAPHIC-COB

OUTLINE DIMENSIONS



BLOCK DIAGRAM & POWER SUPPLY



MECHANICAL SPECIFICATIONS & FEATURE

item	Normal Dimensions(mm)	Feature	
Module Size(W*H*T)	78.0x70.0x12.2MAX	LCD Type	STN FSTN
View Area(W*H)	62.0x44.0	LCD Colour	STN:Yellow-Green ,Gray Other:Gray
DotsxDots(W*H)	128x64	View Angle	6 O'clock , 12 O'clock
Dot Pitch(W*H)	0.44x0.60	Display Type	Positive Type,Negative Type
Dot Size(W*H)	0.40x0.56	Rear Polarizer	Transmissive,Reflective ,Transflective
---	---	Operating Temperature	0°C ~50°C , -20°C ~70°C
---	---	Backlight	LED: Yellow

ELECTRICAL CHARACTERISTICS

item	Symbol	Test Condition	Min.	Type.	Max.	Unit
Operating Voltage	Vdd	Ta=25°C	---	5.0V	---	V
Operating Voltage for LCD	Vlcd	Ta=25°C	---	13.0V	---	V
Supply Current	Idd	Ta=25°C, Vdd=5.0V	---	3.0	4.0	mA
Supply Current for Backlight	If	Ta=25°C, Vf=4.1V	---	150	---	mA

INTERFACE PIN CONNECTIONS

Pin No.	Symbol	Level	Description
1	/CS1	*H/L(option:HL)	Chip Select Signal for Left Half of the panel
2	/CS2	*H/L(option:HL)	Chip Select Signal for Right Half of the panel
3	VSS	L	Ground for Logic
4	VDD	H	Power supply for Logic
5	V0	---	Power supply for LCD drive
6	RS	H/L	Register selection (H:Data register,L:Instruction register)
7	R/W	H/L	Read/write selection (H:Read,L:Write)
8	E	H/L→L	Enable signal for LCM
9-16	DB0-DB7	H/L	Data Bus Lines
17	/RST	H/L	Reset signal
18	VOUT	---	Voltage converter output
19	LEDA	H	Power supply for backlight(+5.0V)
20	LEDK	L	Power supply for backlight(0V)

REMARK

1.Negative type LCD colour : Blue. 2.File Version:01