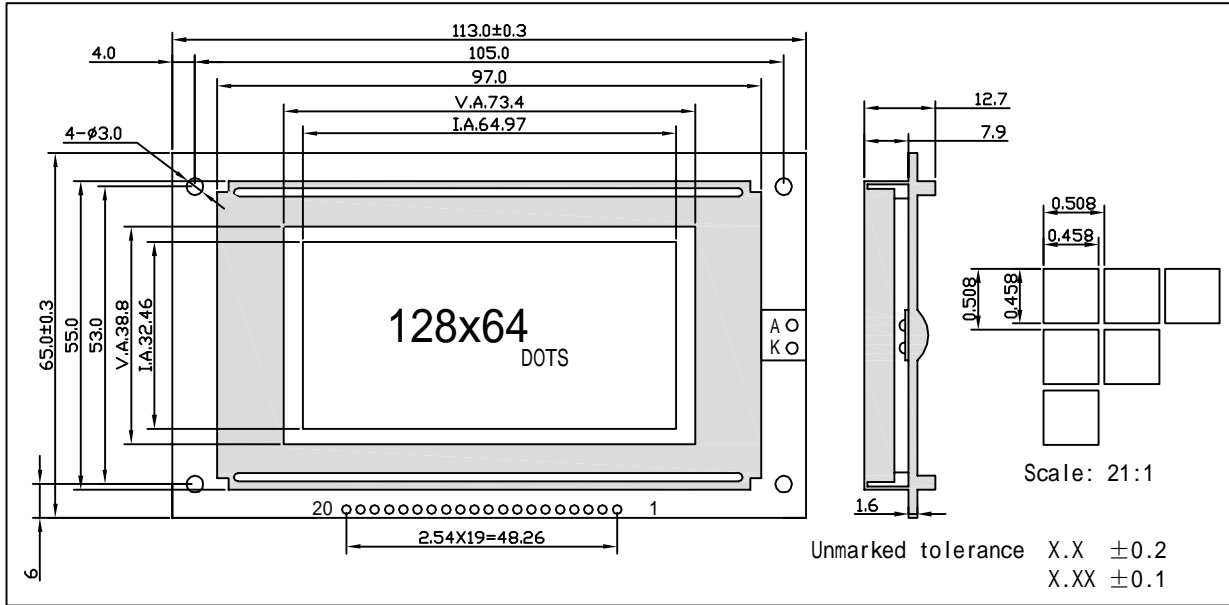


ZL12864B2

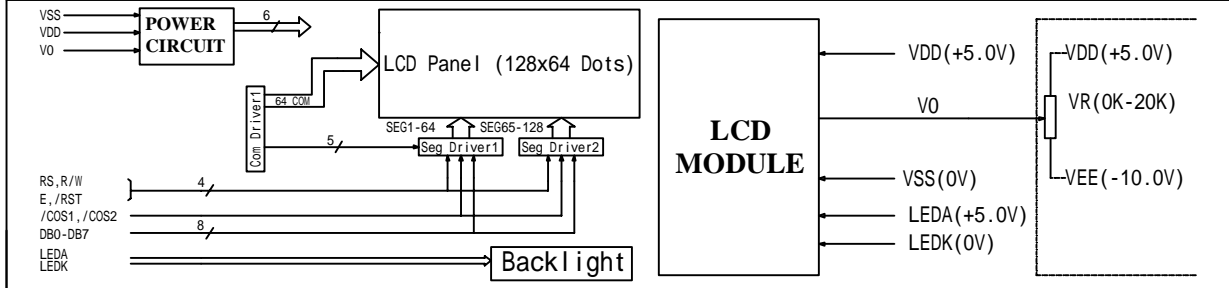
Series

128x64 DOTS
1/64 DUTY, 1/9 BIAS
GRAPHIC-COB

OUTLINE DIMENSIONS



BLOCK DIAGRAM & POWER SUPPLY



MECHANICAL SPECIFICATIONS & FEATURE

item	Normal Dimensions(mm)	Feature	
Module Size(W*H*T)	113.0x65.0x12.7MAX	LCD Type	STN FSTN
View Area(W*H)	73.4x38.8	LCD Colour	STN:Yellow-Green ,Gray Other:Gray
DotsxDots(W*H)	128x64	View Angle	6 O'clock , 12 O'clock
Dot Pitch(W*H)	0.508x0.508	Display Type	Positive Type,Negative Type
Dot Size(W*H)	0.458x0.458	Rear Polarizer	Transmissive,Reflective ,Transflective
---	---	Operating Temperature	0℃ ~50℃ , -20℃ ~70℃
---	---	Backlight	LED: Yellow

ELECTRICAL CHARACTERISTICS

item	Symbol	Test Condition	Min.	Type.	Max.	Unit
Operating Voltage	Vdd	Ta=25℃	---	5.0V	---	V
Operating Voltage for LCD	Vlcd	Ta=25℃	---	13.0V	---	V
Supply Current	Idd	Ta=25℃,Vdd=5.0V	---	3.0	4.0	mA
Supply Current for Backlight	If	Ta=25℃,Vf=4.1V	---	150	---	mA

INTERFACE PIN CONNECTIONS

Pin No.	Symbol	Level	Description
1	VSS	--	Ground for Logic
2	VDD	--	Power supply for Logic
3	V0	--	Power supply for LCD drive
4	RS	H/L	Register selection (H:Data register,L:Instruction register)
5	R/W	H/L	Read/write selection (H:Read,L:Write)
6	E	H/L → L	Enable signal for LCM
7-14	DB0-DB7	H/L	Data Bus Lines
15	/CS1	*H/L(option:HL)	Chip Select Signal for Left Half of the panel
16	/CS2	*H/L(option:HL)	Chip Select Signal for Right Half of the panel
17	/RST	L	Reset signal
18	VEE	--	Negative voltage output
19	LEDA	--	Power supply for backlight(+)
20	LEDK	--	Power supply for backlight(-)

REMARK

Negative type LCD colour : Bule. 2.File Version:01