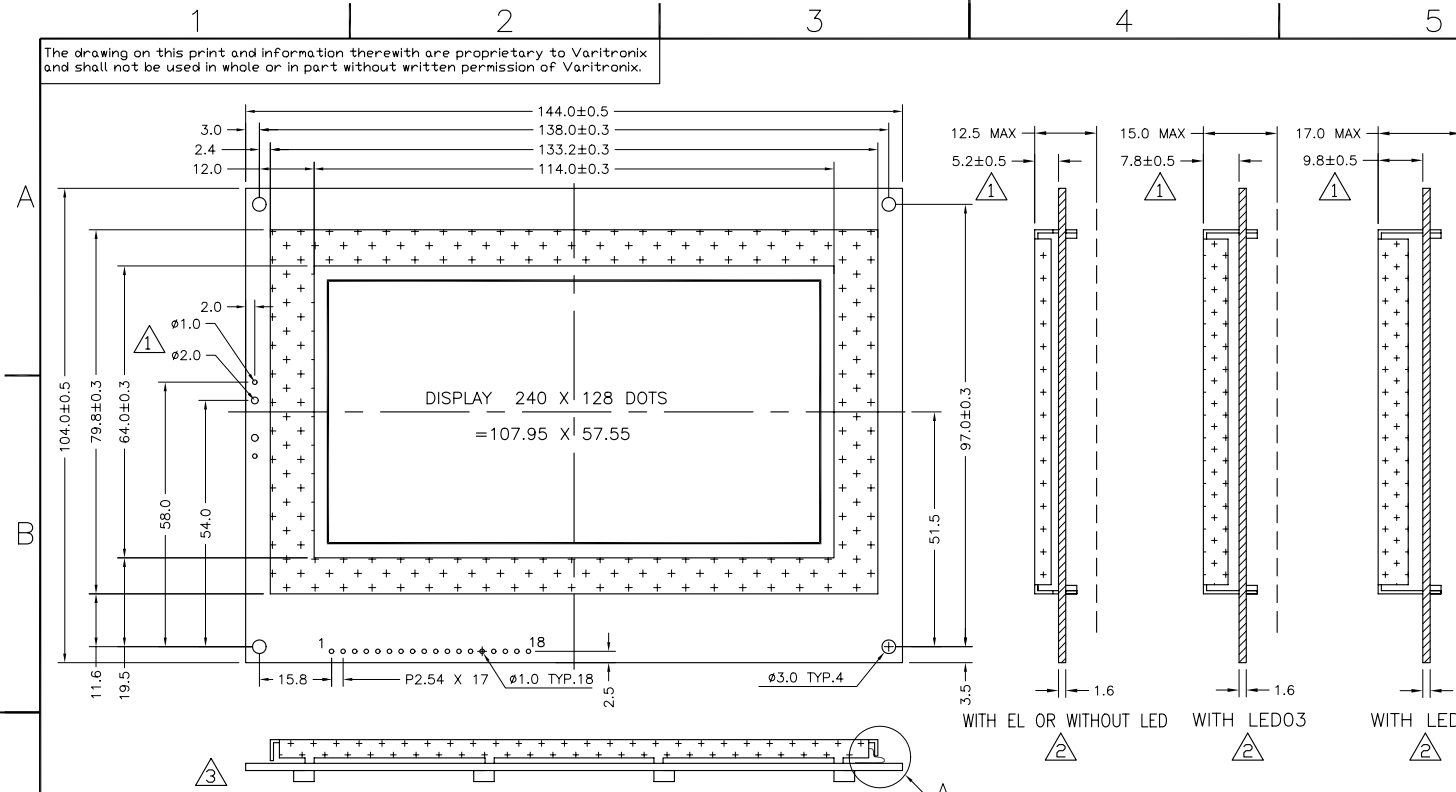
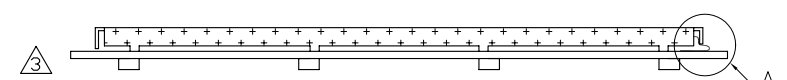
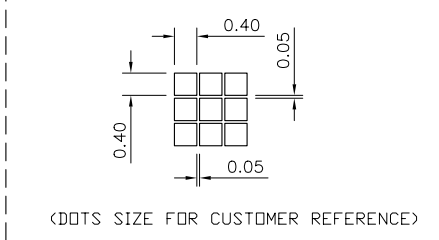


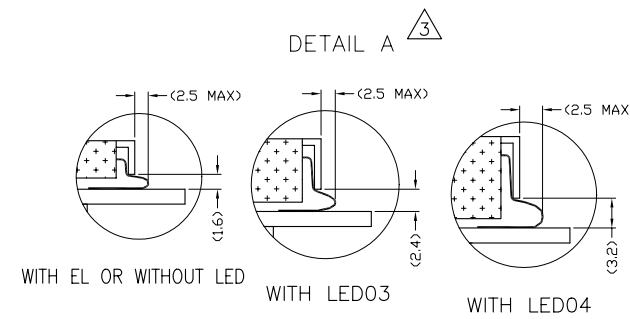
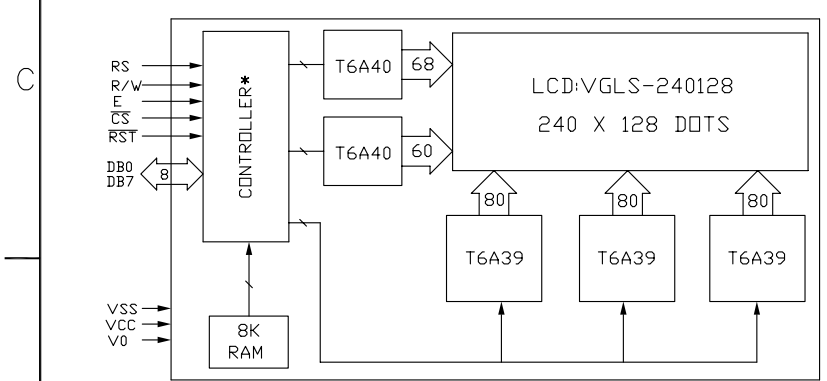
The drawing on this print and information therewith are proprietary to Varitronix and shall not be used in whole or in part without written permission of Varitronix.



| ISSUE          | AMENDMENT   | DATE     |
|----------------|---|----------|
| 1              | UPDATE DIMENSION<br>ADD THE NOTES                               | 03.02.19 |
| 2              | UPDATE DRAWING  | 03.05.20 |
| 3 <sup>4</sup> | ADD BOTTOM VIEW AND DETAIL DRAWING A<br>UPDATE IC AND ADD LED05 | 05.09.02 |
|                |   |          |
|                |   |          |



WITH EL OR WITHOUT LED WITH LED03 WITH LED04



|                                       |   |           |               |
|---------------------------------------|---|-----------|---------------|
| TITLE: LCM Module Specification       |   |           |               |
| PROJECT NO: MGLS240128                |   |           |               |
| TOLERANCE UNLESS OTHERWISE SPECIFIED: | X.X ±0.3                                | X.XX ±0.1 | ANGULAR: ± 1° |
| DIMENSIONS IN MM                      | SCALE: DO NOT IN SCALE OVERALL THK: N/A |           |               |
| MATERIAL: N/A                         | FINISH: N/A                             |           |               |
| THIRD ANGLE PROJECTION                |   |           |               |
|                                       | NAME                                    | SIGN      | DATE          |
| DRAWN:                                | XB LONG                                 |           |               |
| CHECKED:                              | ZB TANG                                 |           |               |
| APPROVED:                             | CHARM                                   |           |               |
| ITEM NO.: MGLS240128-XX               |   |           |               |
| DESCRIPTION: MGLS240128               |   |           |               |
| FILE NO: MGLS240128-XX R3 REV: 3      |   |           |               |
| SHEET 1 OF 2                          |   |           |               |

3 \* LC7981 OR EQUIVALENT

|     |     |    |    |     |   |     |     |     |     |     |     |     |     |     |      |      |      |
|-----|-----|----|----|-----|---|-----|-----|-----|-----|-----|-----|-----|-----|-----|------|------|------|
| 1   | 2   | 3  | 4  | 5   | 6 | 7   | 8   | 9   | 10  | 11  | 12  | 13  | 14  | 15  | 16   | 17   | 18   |
| VSS | VCC | V0 | RS | R/W | E | DB0 | DB1 | DB2 | DB3 | DB4 | DB5 | DB6 | DB7 | /CS | /RST | LED+ | LED- |

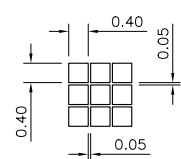
NOTES:  
 1. ◇ : SPECIAL CHARACTERISTIC  
 2. + : SAFETY CHARACTERISTIC  
 3. ▽ : CRITICAL DIMENSION  
 4. (...): REFERENCE DIMENSION



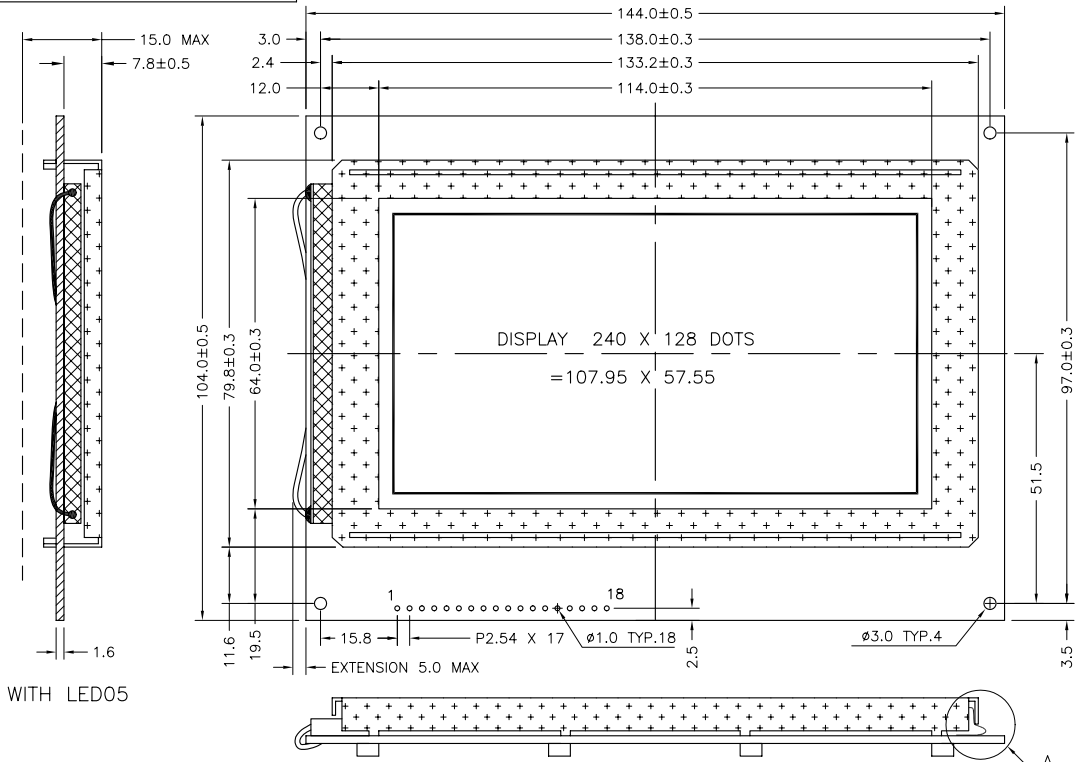
The drawing on this print and information therewith are proprietary to Varitronix and shall not be used in whole or in part without written permission of Varitronix.

| ISSUE          | AMENDMENT   | DATE     |
|----------------|---|----------|
| 1              | UPDATE DIMENSION<br>ADD THE NOTES                               | 03.02.19 |
| 2              | UPDATE DRAWING  | 03.05.20 |
| 3 <sup>4</sup> | ADD BOTTOM VIEW AND DETAIL DRAWING A<br>UPDATE IC AND ADD LED05 | 05.09.02 |
|                |   |          |
|                |   |          |

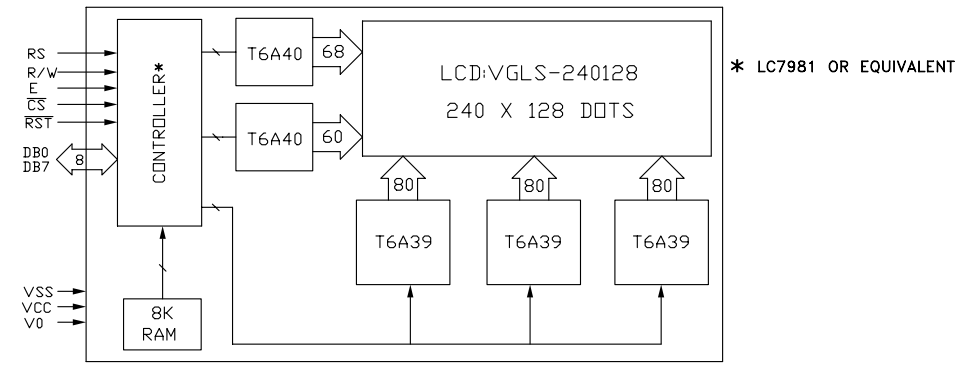
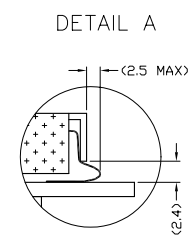
A  
B  
C  
D



(DOTS SIZE FOR CUSTOMER REFERENCE)



WITH LED05



\* LC7981 OR EQUIVALENT

|     |     |    |    |     |   |     |     |     |     |     |     |     |     |     |      |      |      |
|-----|-----|----|----|-----|---|-----|-----|-----|-----|-----|-----|-----|-----|-----|------|------|------|
| 1   | 2   | 3  | 4  | 5   | 6 | 7   | 8   | 9   | 10  | 11  | 12  | 13  | 14  | 15  | 16   | 17   | 18   |
| VSS | VCC | V0 | RS | R/W | E | DB0 | DB1 | DB2 | DB3 | DB4 | DB5 | DB6 | DB7 | /CS | /RST | LED+ | LED- |

NOTES:  
 1. ◇ : SPECIAL CHARACTERISTIC  
 2. + : SAFETY CHARACTERISTIC  
 3. ▽ : CRITICAL DIMENSION  
 4. (...) : REFERENCE DIMENSION



|                                       |                  |           |
|---------------------------------------|------------------|-----------|
| TITLE: LCM Module Specification       |                  |           |
| PROJECT NO: MGLS240128                |                  |           |
| TOLERANCE UNLESS OTHERWISE SPECIFIED: | X.X ±0.3         | X.XX ±0.1 |
| DIMENSIONS IN MM                      | ANGULAR: ± 1°    |           |
| MATERIAL: N/A                         | FINISH: N/A      |           |
| SCALE: DO NOT ON SCALE                | OVERALL THK: N/A |           |
| THIRD ANGLE PROJECTION                |                  |           |
|                                       | NAME             | SIGN      |
| DRAWN:                                | XB LONG          |           |
| CHECKED:                              | ZB TANG          |           |
| APPROVED:                             | CHARM            |           |
| ITEM NO.: MGLS240128-XX               |                  |           |
| DESCRIPTION: MGLS240128               |                  |           |
| FILE NO:                              | MGLS240128-XX R3 | REV: 3    |
| SHEET                                 | 2                | OF 2      |

A  
B  
C  
D